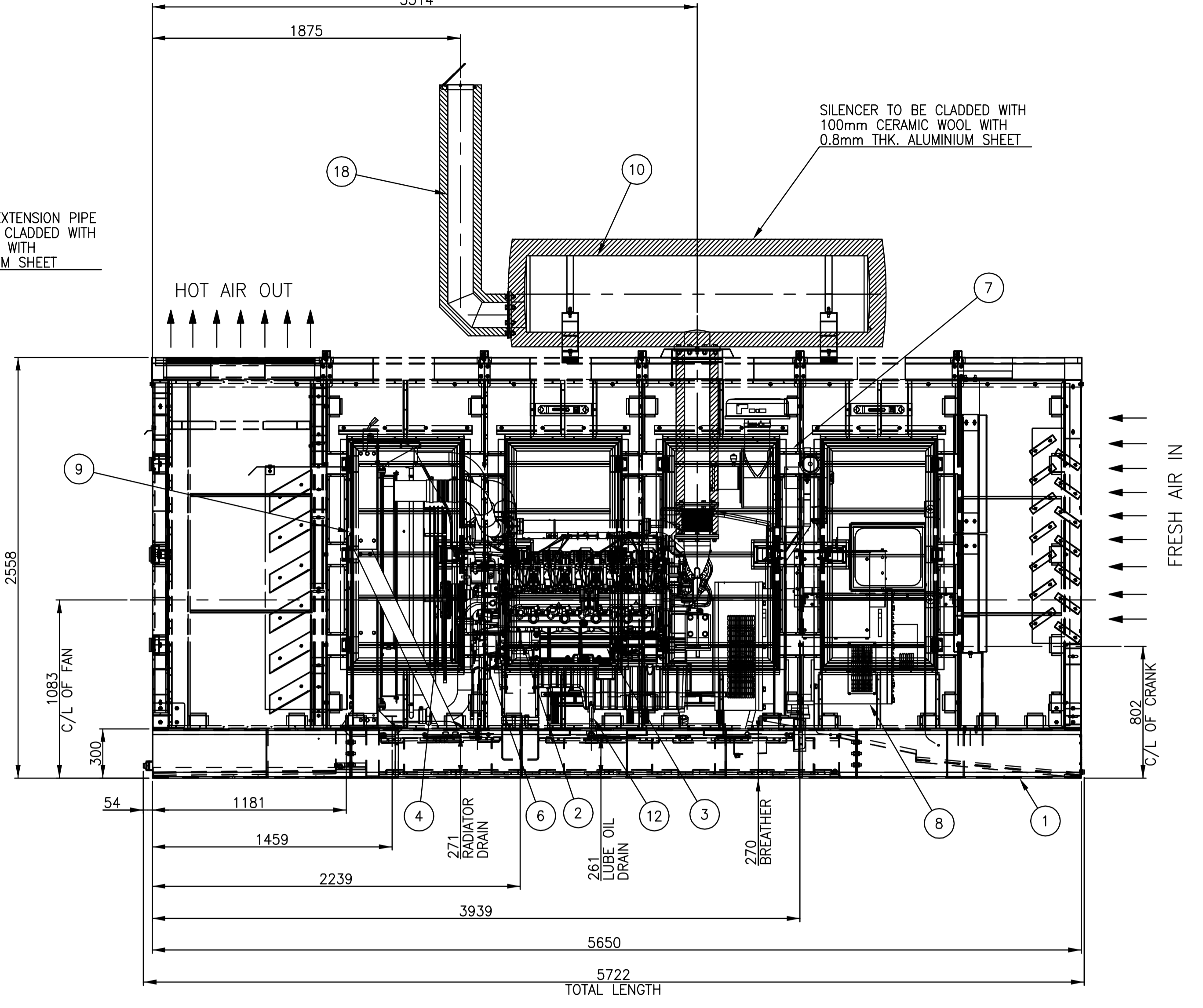
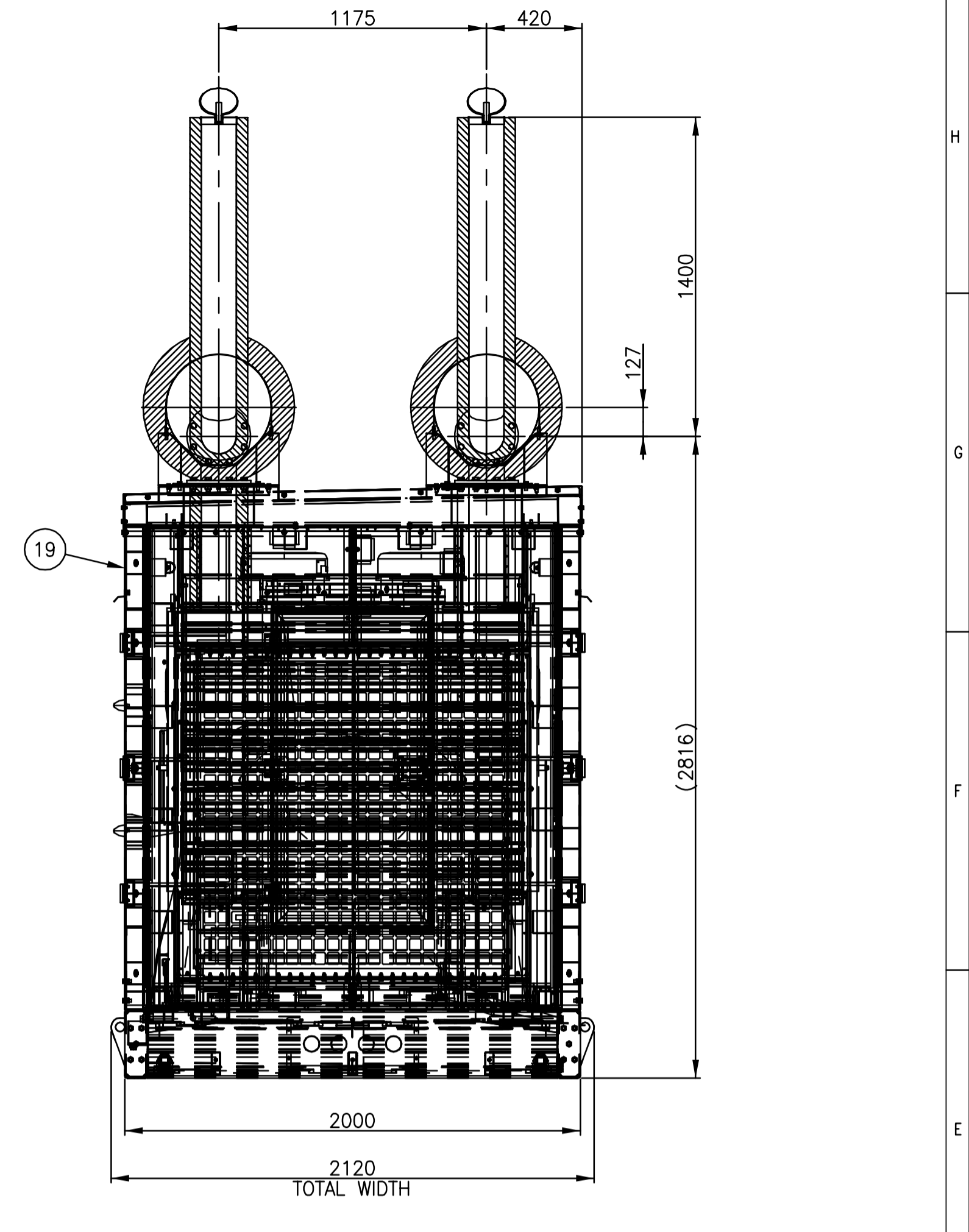


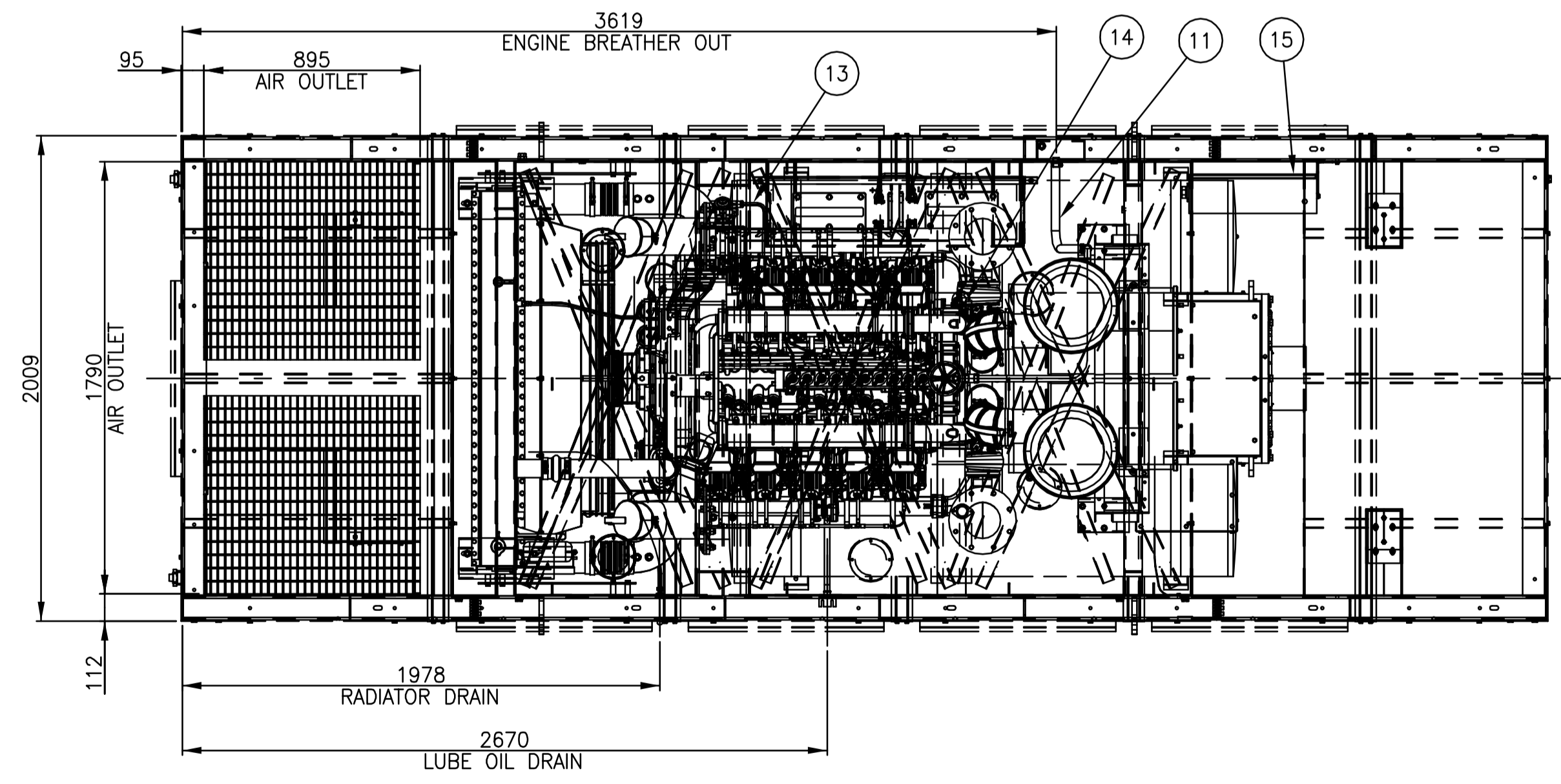
VIEW FROM ALTERNATOR SIDE



FRONT VIEW



VIEW FROM PULLEY END



TOP VIEW

| SR. NO. | DESCRIPTION |
|---------|------------------------------|
| 19 | CANOPY ASSEMBLY |
| 18 | EXHAUST BEND |
| 17 | BATTERY & BATTERY CABLE |
| 16 | EARTHING CABLE |
| 15 | CONTROL PANEL |
| 14 | FUEL LEVEL SENSOR |
| 13 | FUEL PIPING |
| 12 | LUB OIL DRAIN ARRANGEMENT |
| 11 | BREATHER ARRANGEMENT |
| 10 | EXHAUST SYSTEM |
| 9 | COOLING SYSTEM |
| 8 | ALTERNATOR COUPLING |
| 7 | AIR INTAKE SYSTEM |
| 6 | CHARGING ALTERNATOR ASSEMBLY |
| 5 | STARTER ASSEMBLY |
| 4 | FAN AND MOUNTING |
| 3 | DV10 ENGINE ASSEMBLY |
| 2 | AVM ASSEMBLY |
| 1 | BASE PLATE ASSEMBLY |

- NOTES:-
1. OUTER DIMENSION-5722(L)x2120(W)x3177(H)
 2. DOOR HINGES - OUTSIDE
 3. PAINT- POWDER COATING FOR ALL CANOPY PANELS KOEL GREEN (IVORY) CANOPY TOP,BASE,TANK PEPSI BLUE POWDER COATING
 4. FOR DETAILS OF FOUNDATION LAYOUT AND INSTALLATION PLAN FOR OPEN DOORS REFER SHEET 2 OF 2.

IF IN DOUBT ASK

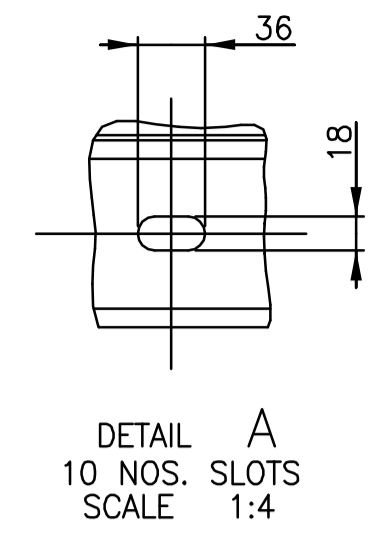
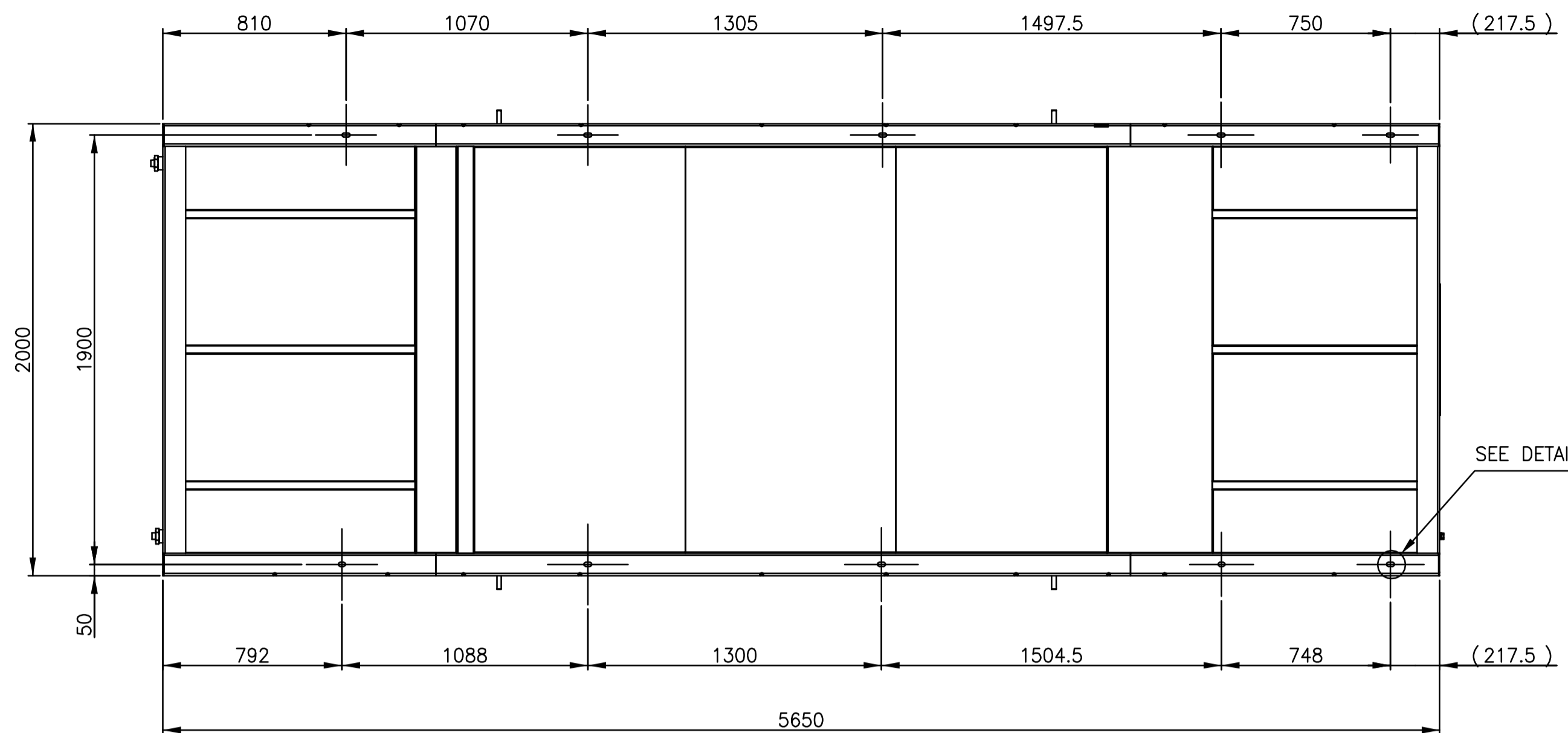
PRINTS OF PREVIOUS REVISION NO. SHOULD BE SCRAPPED

THIS DRAWING IS PROPERTY OF KIRLOSKAR OIL ENGINES LTD. AND MUST BE RETURNED ON REQUEST. IT IS SUBMITTED AS CONFIDENTIAL INFORMATION WITH OUR ENQUIRY, TENDER, ORDER OR CONTRACT NO. IT IS NOT TO BE ISSUED FOR ANY OTHER PURPOSE OR ORDER NOR MAY BE COPIED OR LENT WITHOUT OUR AUTHORITY IN WRITING.

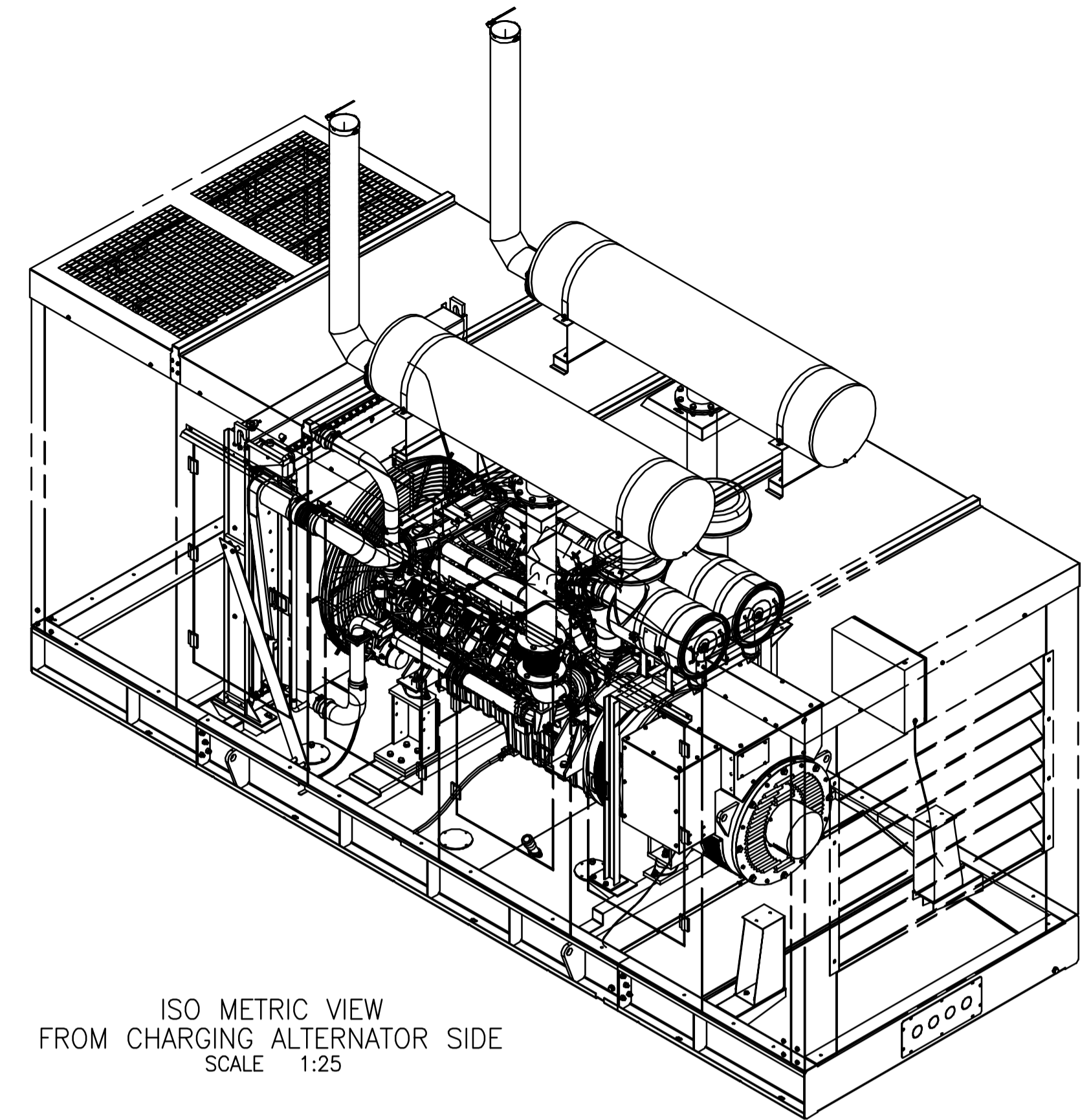
FORMAT No. R&E/FORM/056/01 (REFER DOP No. R&E 4.4/03)

| REVISION | | ZONE | MODIFIED BY | REF. No. DATE | REVISION | | ZONE | MODIFIED BY | REF. No. DATE |
|----------|--|------|-------------|---------------|----------|--|------|-------------|---------------|
| No. | | | | | No. | | | | |
| | | | | | | | | | |

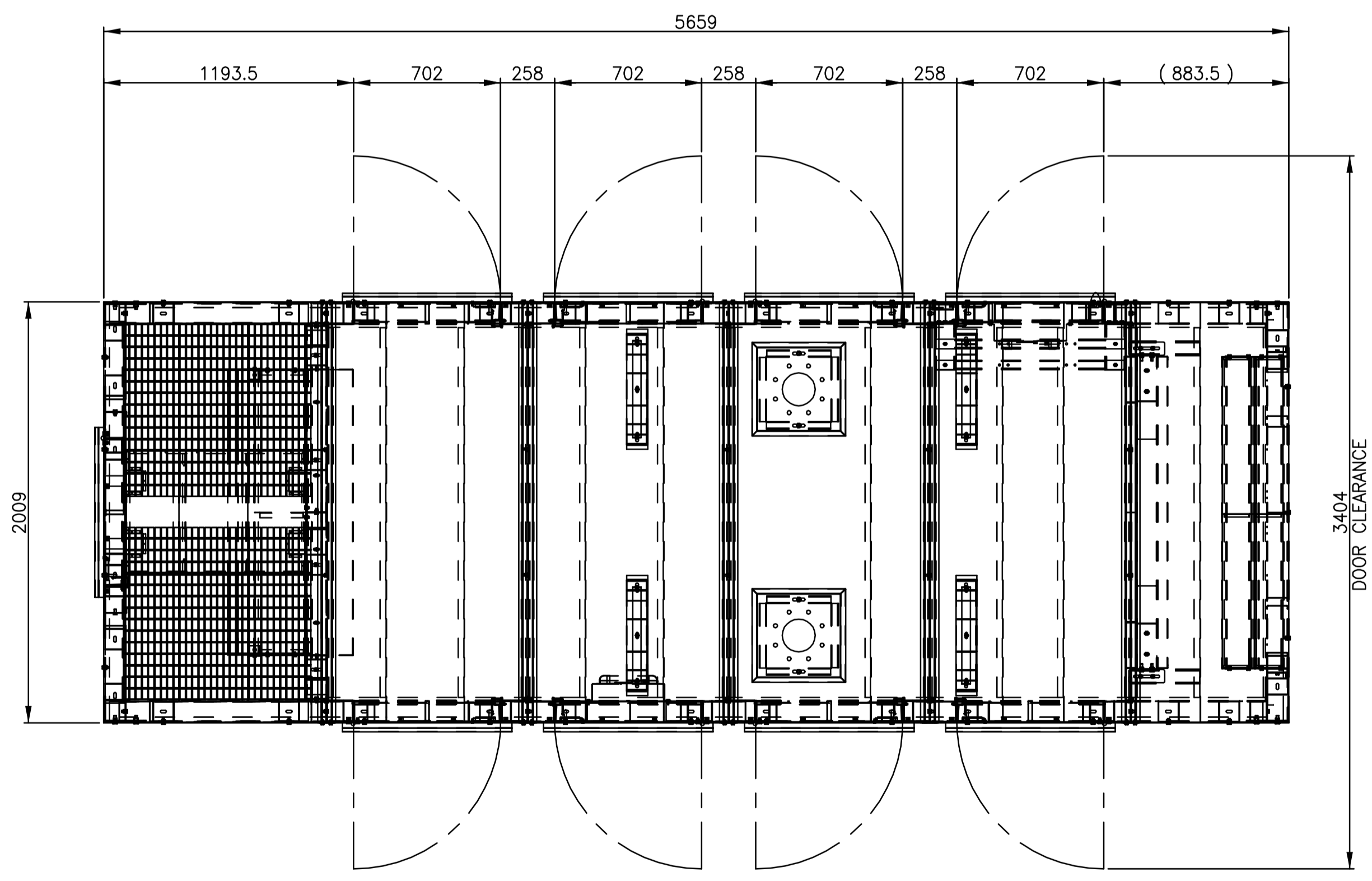
| | | | | | |
|---|--|--|---------------------|----------------------------|--|
| UNLESS OTHERWISE SPECIFIED | | CAD DRG. FILE:- PLM | | CASTING/FORGING DRG. NO. | |
| ● ALL DIMENSIONS ARE IN mm. SURFACE ROUGHNESS AS PER CO. STD. ISO 1001. | | MATERIAL :- REFER BOM | HEAT TREATMENT :- | WEIGHT (kg) :- | |
| ● UNMENTIONED TOLERANCES AS PER CO. STD. ISO 11001. | | DRN HARESH | TITLE | TYPE DV10 | |
| ● REMOVE ALL SHARP BURRS AND SHARP EDGES. | | CHD. PAT | GENSET INSTALLATION | SCALE 1:20 | |
| ● DRAWING NOT TO BE SCALED. | | APPD. JGJ | | SHT. NO 1 OF 2 | |
| UNMENTIONED | | DATE 03/05/2014 | FOR DV10 | DRAWING NO. DVO.5009.00.00 | |
| RADI --- | | KIRLOSKAR OIL ENGINES LTD., PUNE 411 003 (INDIA) | | REV. NO. 00 | |
| CHAMFER --- | | | | | |
| UNDERCUT --- | | | | | |



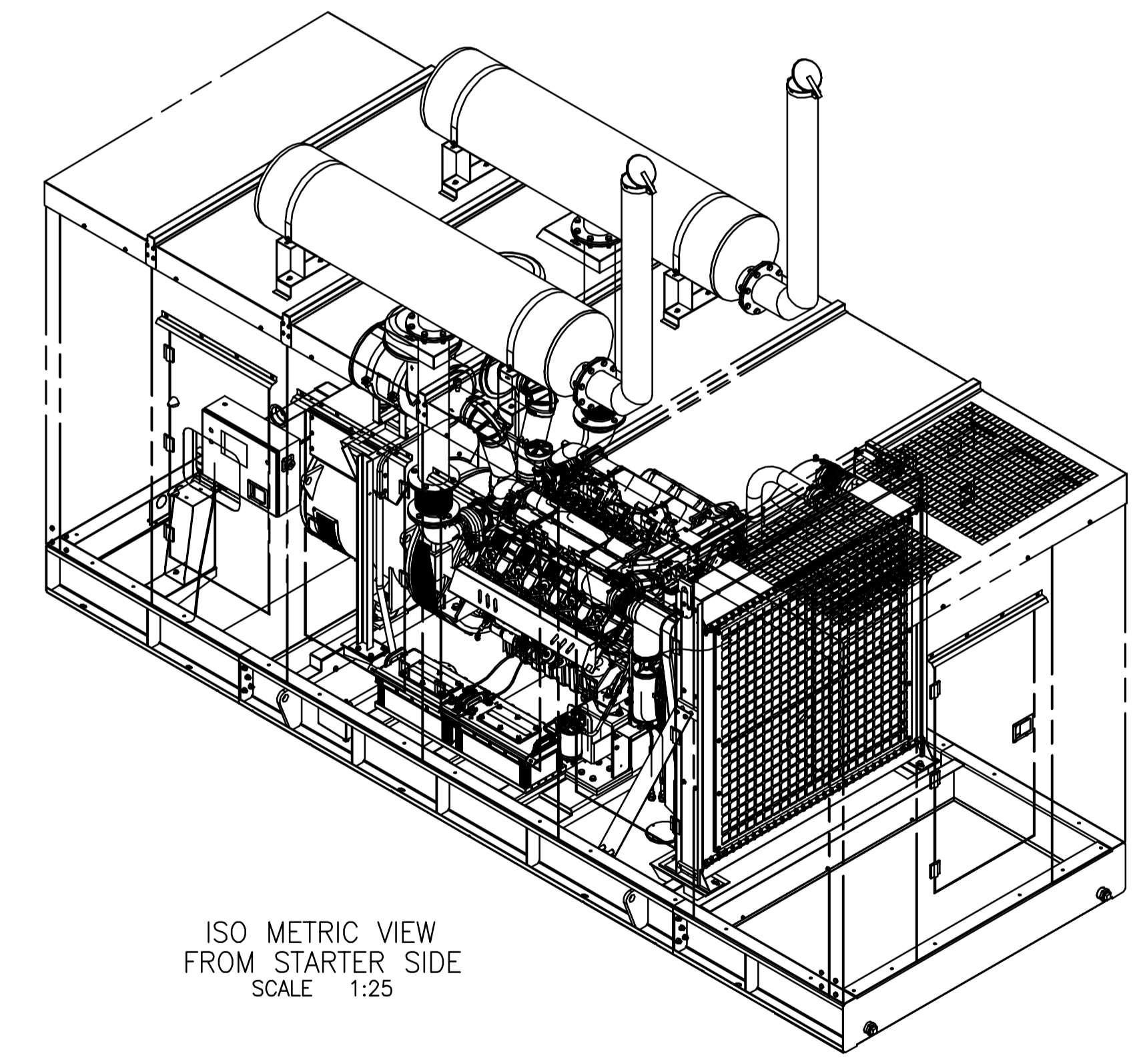
FOUNDATION LAYOUT



ISO METRIC VIEW
FROM CHARGING ALTERNATOR SIDE
SCALE 1:25



INSTALLATION PLAN FOR OPEN DOORS



ISO METRIC VIEW
FROM STARTER SIDE
SCALE 1:25

IF IN DOUBT ASK

PRINTS OF PREVIOUS REVISION NO. SHOULD BE SCRAPPED

THIS DRAWING IS PROPERTY OF KIRLOSKAR OIL ENGINES LTD. AND MUST BE RETURNED ON REQUEST. IT IS SUBMITTED AS CONFIDENTIAL INFORMATION WITH OUR ENQUIRY, TENDER, ORDER OR CONTRACT NO. IT IS NOT TO BE ISSUED FOR ANY OTHER PURPOSE OR ORDER NOR MAY BE COPIED OR LENT WITHOUT OUR AUTHORITY IN WRITING.

FORMAT No. R&E/FORM/056/01 (REFER DOP No. R&E 4.4/03)

| | | | | | | | | | | | |
|---|--|--|--|-----------------------|--|--|--|-----------------------------|--|----------------|--|
| UNLESS OTHERWISE SPECIFIED | | | | CAD DRG. FILE:- PLM | | | | CASTING/FORGING DRG. NO. | | | |
| ● ALL DIMENSIONS ARE IN mm. | | | | MATERIAL :- REFER BOM | | | | HEAT TREATMENT :- | | WEIGHT (kg) :- | |
| ● SURFACE ROUGHNESS AS PER CO. STD. ISO 1001. | | | | DRN HARESH | | | | TITLE | | TYPE DV10 | |
| ● UNMENTIONED TOLERANCES AS PER CO. STD. ISO 11001. | | | | CHD. PAT | | | | GENSET INSTALLATION | | SCALE 1:20 | |
| ● REMOVE ALL SHARP BURRS AND SHARP EDGES. | | | | APPD. JGJ | | | | FOR DV10 | | SHT. NO 2 OF 2 | |
| ● DRAWING NOT TO BE SCALED. | | | | DATE 03/05/2014 | | | | DRAWING NO. | | REV. NO. | |
| UNMENTIONED | | | | RADI | | | | KIRLOSKAR OIL ENGINES LTD., | | DVO.5009.00.00 | |
| CHAMFER | | | | PUNE 411 003 (INDIA) | | | | 00 | | 00 | |
| UNDERCUT | | | | | | | | | | | |
| 00 NEW RELEASE | | | | 00 NEW RELEASE | | | | | | | |